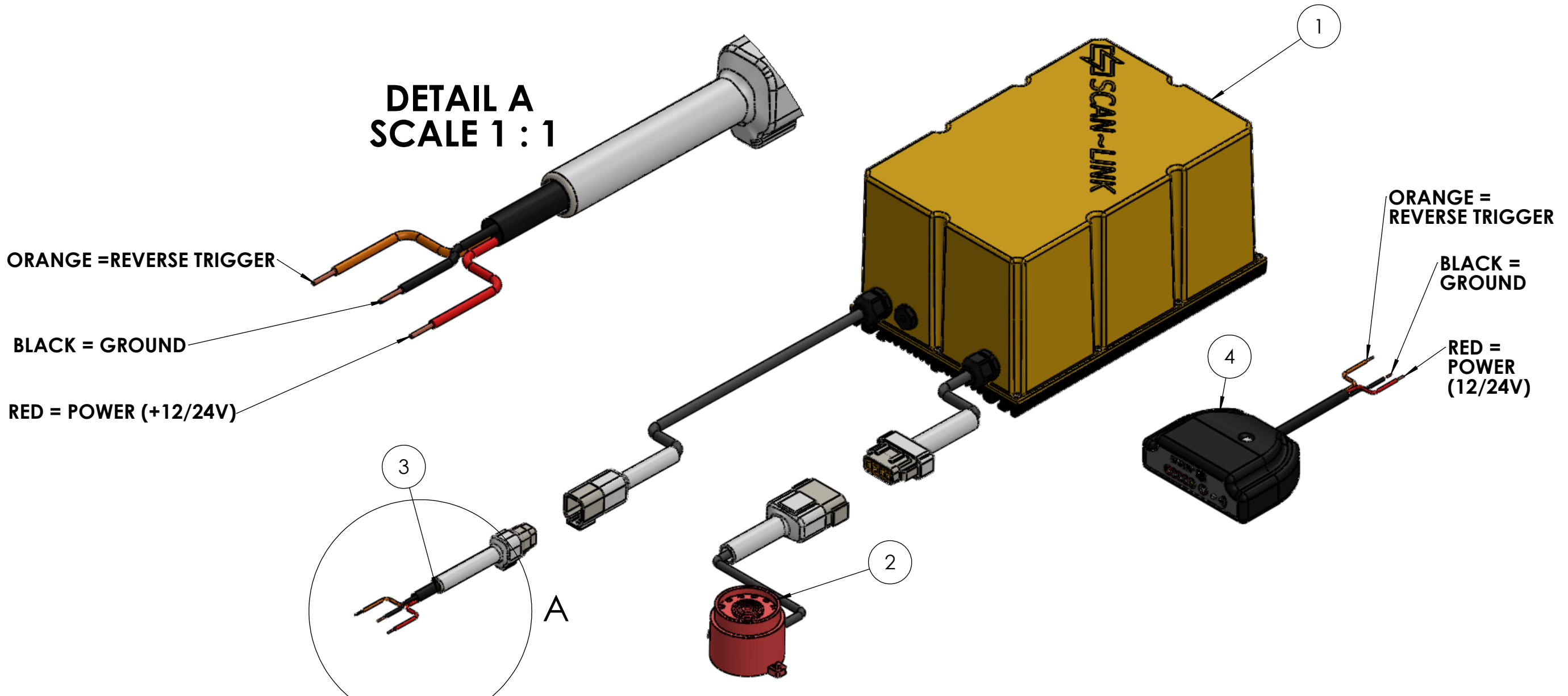


BOM Table					
ITEM NO.	PART NUMBER	DESCRIPTION	MANUFACTURER	VENDOR	QTY.
1	SLAU-UV-NB-ERT-DT	ANTENNA UNIT	SCAN-LINK TECHNOLOGIES	SCAN-LINK TECHNOLOGIES	1
2	SLBA	BEEPER ASSEMBLY V1	SCAN-LINK TECHNOLOGIES	SCAN-LINK TECHNOLOGIES	1
3	SLPH-6-3-1.5m	POWER HARNESS	SCAN-LINK TECHNOLOGIES	SCAN-LINK TECHNOLOGIES	1
4	SLDU-005SR	DISPLAY UNIT	SCAN-LINK TECHNOLOGIES	SCAN-LINK TECHNOLOGIES	1

**DETAIL A
SCALE 1 : 1**



PROPRIETARY AND CONFIDENTIAL
 THE INFORMATION CONTAINED IN THIS DRAWING IS THE SOLE PROPERTY OF SCAN-LINK TECHNOLOGIES ANY REPRODUCTION IN PART OR AS A WHOLE WITHOUT THE WRITTEN PERMISSION OF SCAN-LINK TECHNOLOGIES IS PROHIBITED.

UNLESS OTHERWISE SPECIFIED:
 DIMENSIONS ARE IN INCHES
 TOLERANCES:
 FRACTIONAL ±
 ANGULAR: MACH ± BEND ±
 TWO PLACE DECIMAL ±
 THREE PLACE DECIMAL ±
 INTERPRET GEOMETRIC TOLERANCING PER:
 MATERIAL
 FINISH
 DO NOT SCALE DRAWING

	NAME	DATE
DRAWN	AB	FEB-16
CHECKED	JF	
ENG APPR.	JF/US	
MFG APPR.	JF/US	
Q.A.	JF/US	
COMMENTS:		

SCAN~LINK		
TITLE: SCAN LINK WITH ALARM ASSEMBLY - REVERSE TRIGGER V1		
SIZE B	DWG. NO. SCAN LINK WITH ALARM ASSEMBLY	REV 0
SCALE: 1:3	SHEET 1 OF 1	