

BOM Table					
ITEM NO.	PART NUMBER	DESCRIPTION	MANUFACTURER	VENDOR	QTY.
1	SLAU-UV-NB-ERT-DT	ANTENNA UNIT	SCAN~LINK TECHNOLOGIES	SCAN~LINK TECHNOLOGIES	1
2	SLBA	BEEPER ASSEMBLY	SCAN~LINK TECHNOLOGIES	SCAN~LINK TECHNOLOGIES	1
3	SLBO-12-4-2	BREAK OUT CABLE	SCAN~LINK TECHNOLOGIES	SCAN~LINK TECHNOLOGIES	1
4	SLPH-6-3-1.5m	POWER HARNESS	SCAN~LINK TECHNOLOGIES	SCAN~LINK TECHNOLOGIES	1
5	SLDU-005SR	DISPLAY UNIT	SCAN~LINK TECHNOLOGIES	SCAN~LINK TECHNOLOGIES	1

**DETAIL A
SCALE 1 : 1**

ORANGE = REVERSE TRIGGER

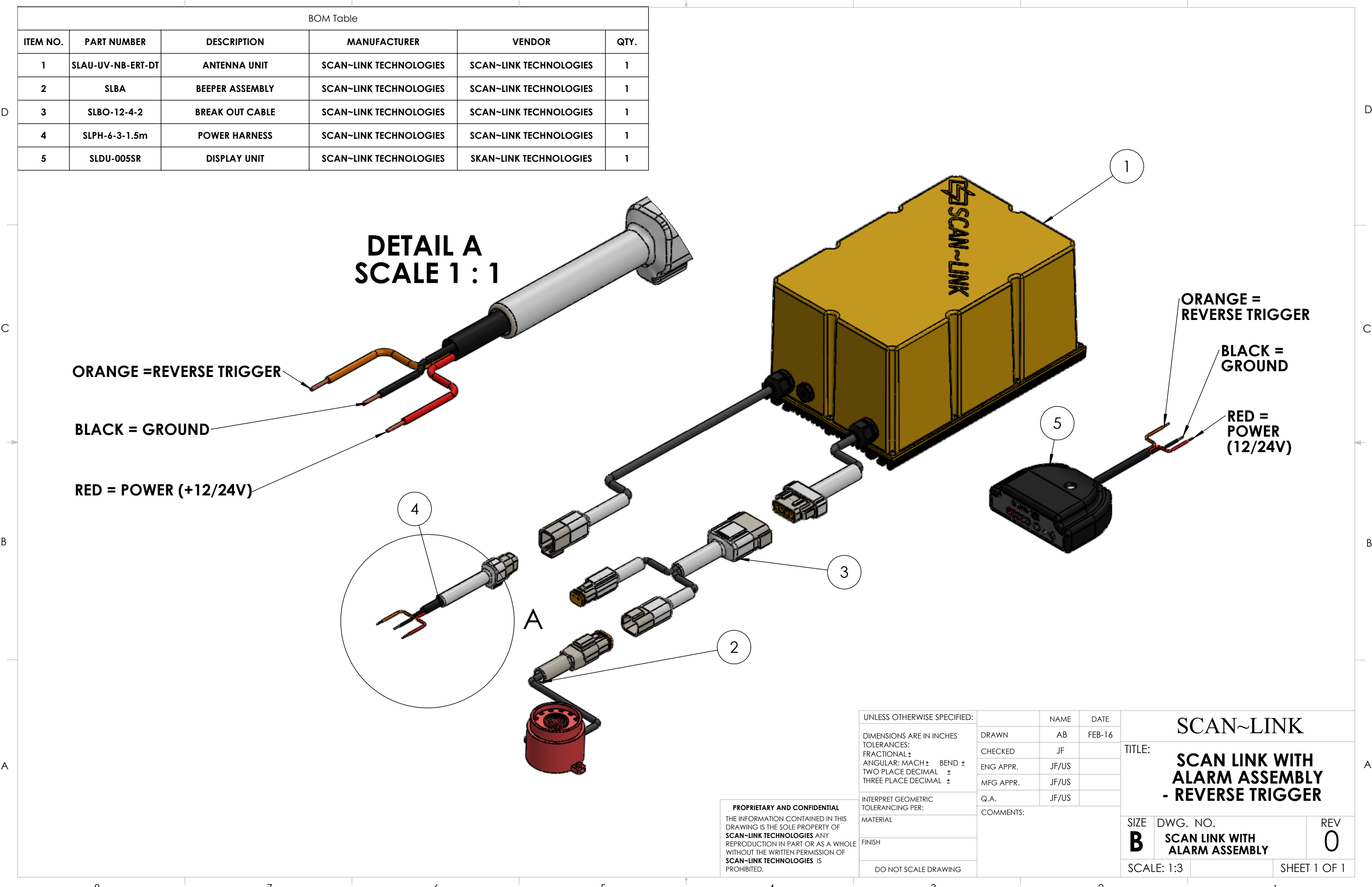
BLACK = GROUND

RED = POWER (+12/24V)

ORANGE = REVERSE TRIGGER

BLACK = GROUND

RED = POWER (12/24V)



UNLESS OTHERWISE SPECIFIED:

DIMENSIONS ARE IN INCHES
TOLERANCES:
FRACTIONAL ±
ANGULAR: MACH ± BEND ±
TWO PLACE DECIMAL ±
THREE PLACE DECIMAL ±

INTERPRET GEOMETRIC TOLERANCING PER:

MATERIAL

FINISH

DO NOT SCALE DRAWING

	NAME	DATE
DRAWN	AB	FEB-16
CHECKED	JF	
ENG APPR.	JF/US	
MFG APPR.	JF/US	
Q.A.	JF/US	

COMMENTS:

SCAN~LINK

TITLE:
SCAN LINK WITH ALARM ASSEMBLY - REVERSE TRIGGER

SIZE	DWG. NO.	REV
B	SCAN LINK WITH ALARM ASSEMBLY	0

SCALE: 1:3 SHEET 1 OF 1

PROPRIETARY AND CONFIDENTIAL
THE INFORMATION CONTAINED IN THIS DRAWING IS THE SOLE PROPERTY OF SCAN~LINK TECHNOLOGIES ANY REPRODUCTION IN PART OR AS A WHOLE WITHOUT THE WRITTEN PERMISSION OF SCAN~LINK TECHNOLOGIES IS PROHIBITED.