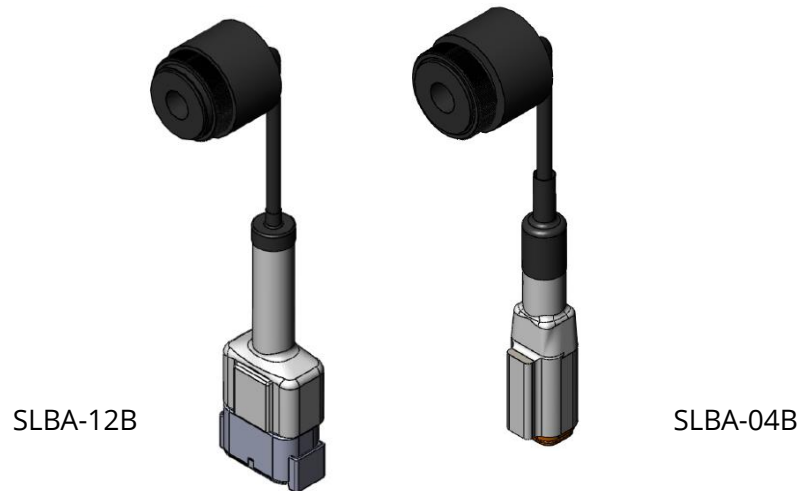


EXTERNAL BEEPER ALARM



OUTLINE

The **SCAN~LINK External Beeper Alarm** is an essential accessory to the SCAN~LINK Armour System™. It is mounted on the outside of the Mobile Equipment to allow workers in the vicinity to hear a staccato alert warning upon detection of a tagged worker in the Danger Zone.

The External Beeper Alarm is a small cylindrical panel mount alarm that is black in appearance. It replaces the current red alarms and will be available in 4 and 12 pin compatible configurations.

There are 2 new mounting options with the new design of the External Beeper Alarm. An Alarm Accessory Bracket (SLMB-HD-04) will be packaged with every Alarm until July 1, 2018, after which it will be removed from the Alarm Package and can be ordered separately. See the mounting section for assembly instructions.

Alarms are available as of July 1, 2017. Warranty is the standard 13 months from sale date. **There are no user-serviceable parts inside.** If you wish to inquire more about this product, please email info@scan-link.com.

MOUNTING OPTIONS

There are 2 ways to mount the External Beeper Alarm:

1. Current Mounting Bracket (SLMB-HD-01)

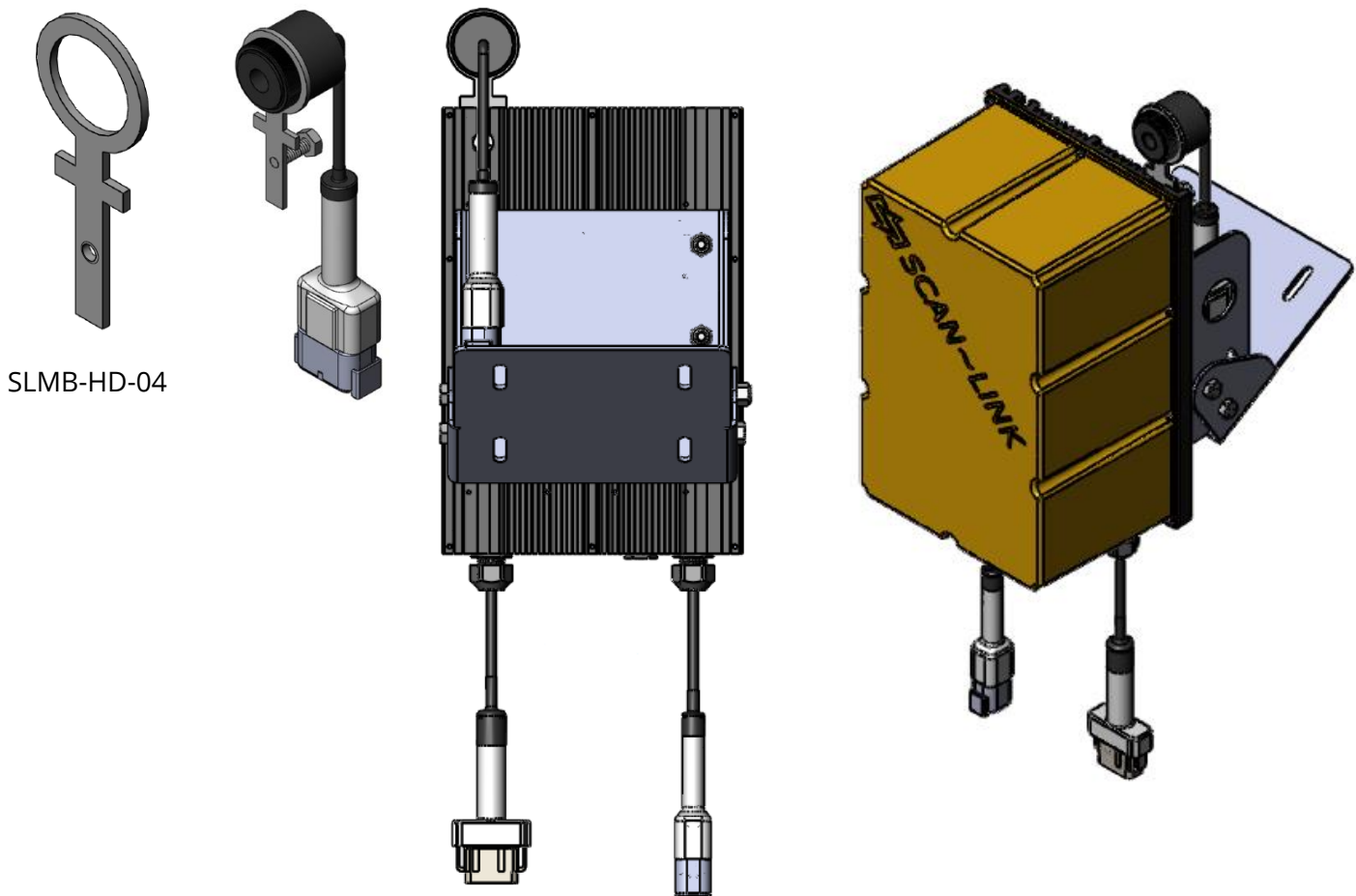
With this set up, the following parts are required:

Mounting Bracket – SLMB-HD-01

Alarm Accessory Bracket – SLMB-HD-04 (which will be included with every alarm until July 1, 2018)

Alarm – SLBA-12B or SLBA-04B

The alarm is a “panel mounted” style alarm; it has a threaded end with a threaded washer for fastening. Simply unthread the washer from the alarm, insert the alarm into the accessory bracket and thread the washer back on. Use a Loctite™ adhesive (or similar) on the thread when fastening the washer for extra durability and to avoid the washer from vibrating loose. Once the alarm is securely fastened in the accessory bracket, slide the bracket into the mounting channel in the back of the Antenna and fasten the bolt.



SLMB-HD-04

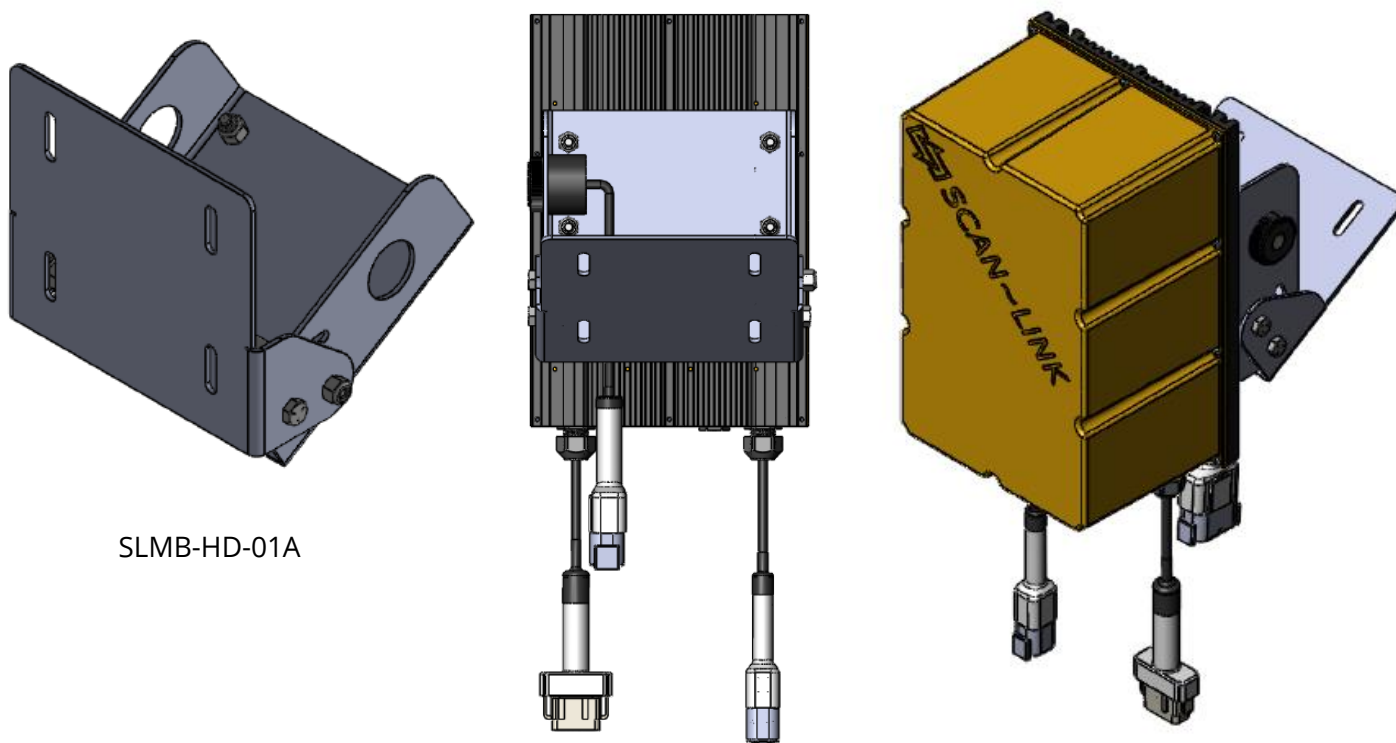
2. Modified Heavy Duty Mounting Bracket (SLMB-HD-01A) with mounting hole

With this set up, the following parts are required:

Mounting Bracket – SLMB-HD-01A

Alarm – SLBA-12B or SLBA-04B

The modified bracket has mounting holes on either side for the alarm. Simply unthread the washer from the alarm, insert the alarm into the mounting hole and thread the washer back on. Use a Loctite™ adhesive (or similar) on the thread when fastening the washer for extra durability and to avoid the washer from vibrating loose.



SLMB-HD-01A

SPECIFICATIONS

Item	Minimum	Maximum
Operating Voltage	+6 VDC	+28 VDC
Operating Temperature	-20°C	+65°C
Storage Temperature	-40°C	+85°C
Typical Operating Current		20 mA at 6Vdc 50 mA at 28Vdc
Typical Sound Pressure	95±5 dB(A) at minimum operating voltage	
Reverse Voltage Protection	To the maximum operating voltage	

Environmental Durability

ASTM B117 Certified – Withstands exposure to salt spray for 300 hours

IP 68 Certified – Withstands water submergence and dust exposure

Humidity – 95% relative humidity at +40°C continuously for 100 hours

Vibration – withstands vibration between 0 and 55 Hz on all axes

FOR MORE INFORMATION

For more information, please contact us via one of the methods below:

Mail SCAN~LINK Technologies Inc.
1444 Sandhill Drive
Ancaster, Ontario, Canada
L9G 4V5

Phone +1-905-304-6100
Email info@scan-link.com